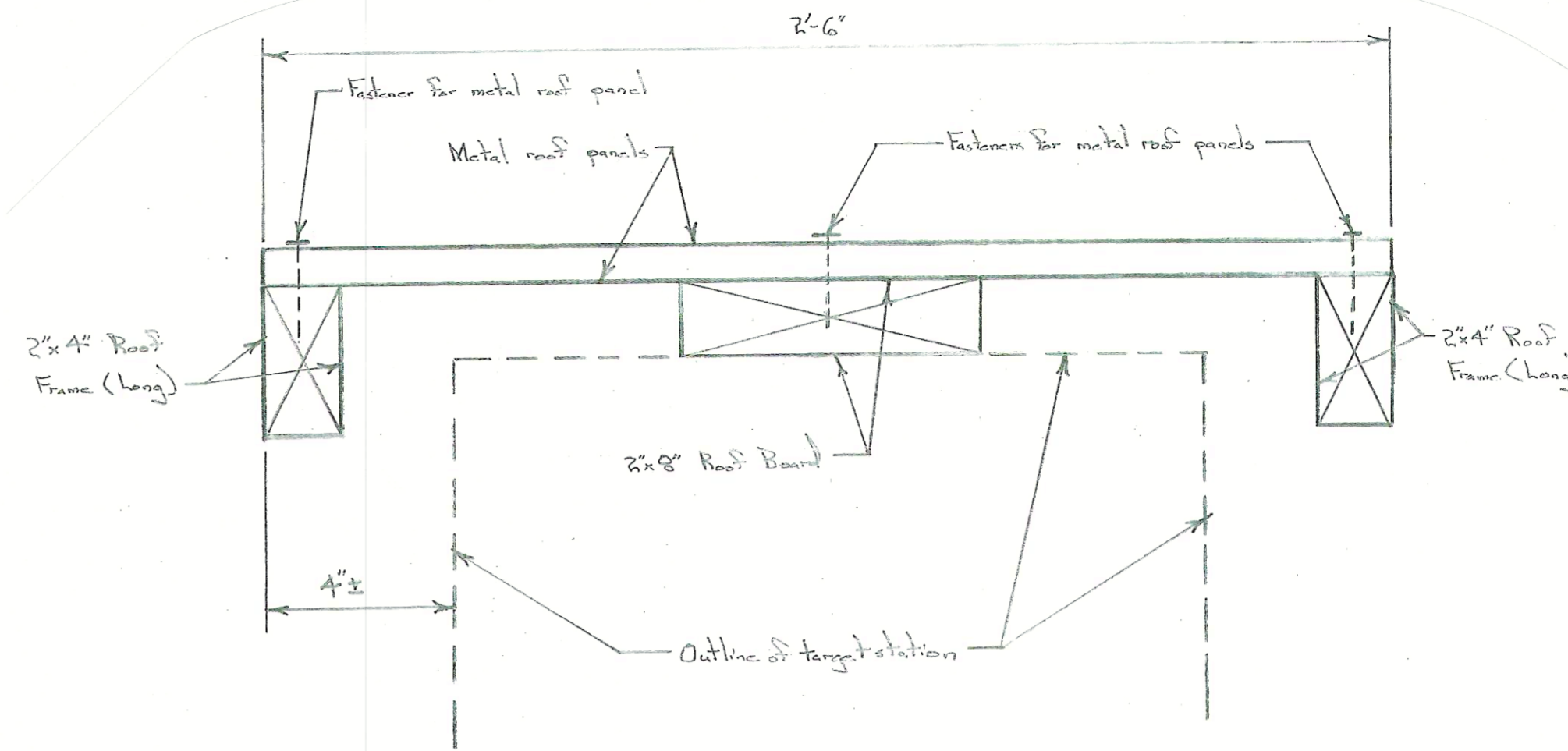


**TARGET STATION PLAN**

Scale: 3/8 in. = 1 ft.

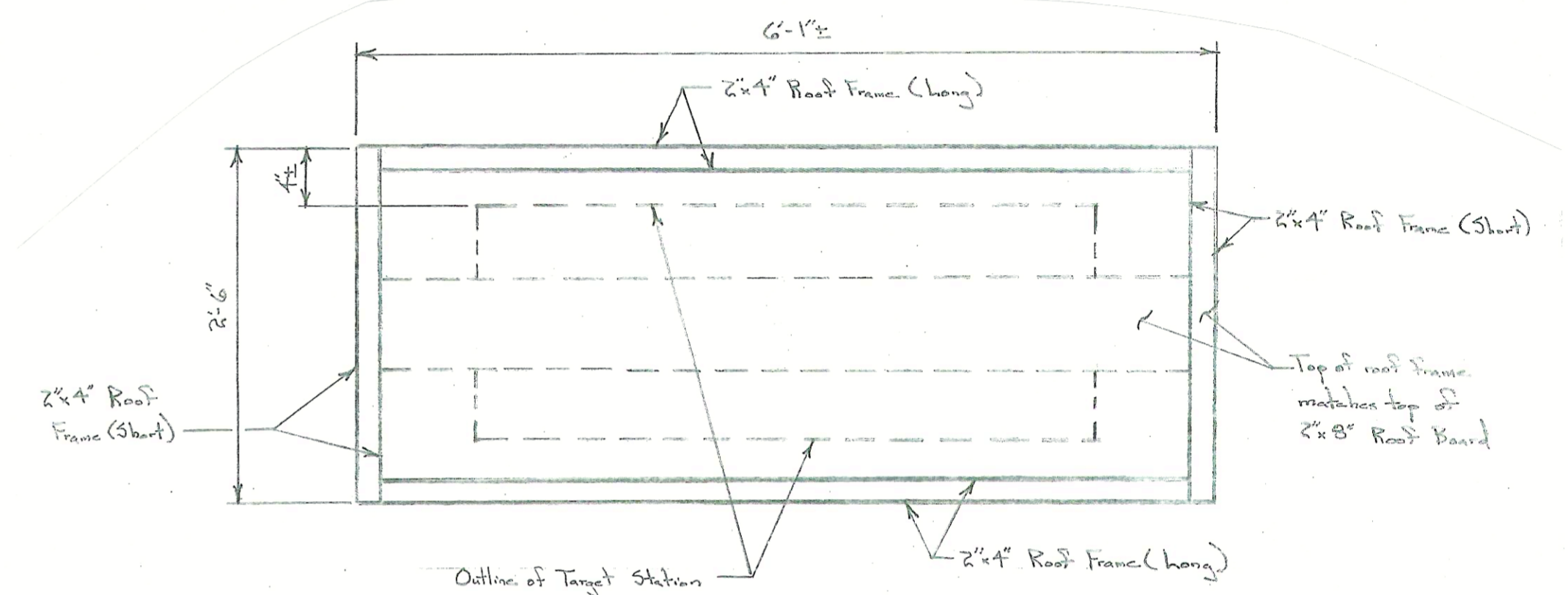


**ROOF SECTION - TARGET STATION**

Scale: 3 in. = 1 ft.

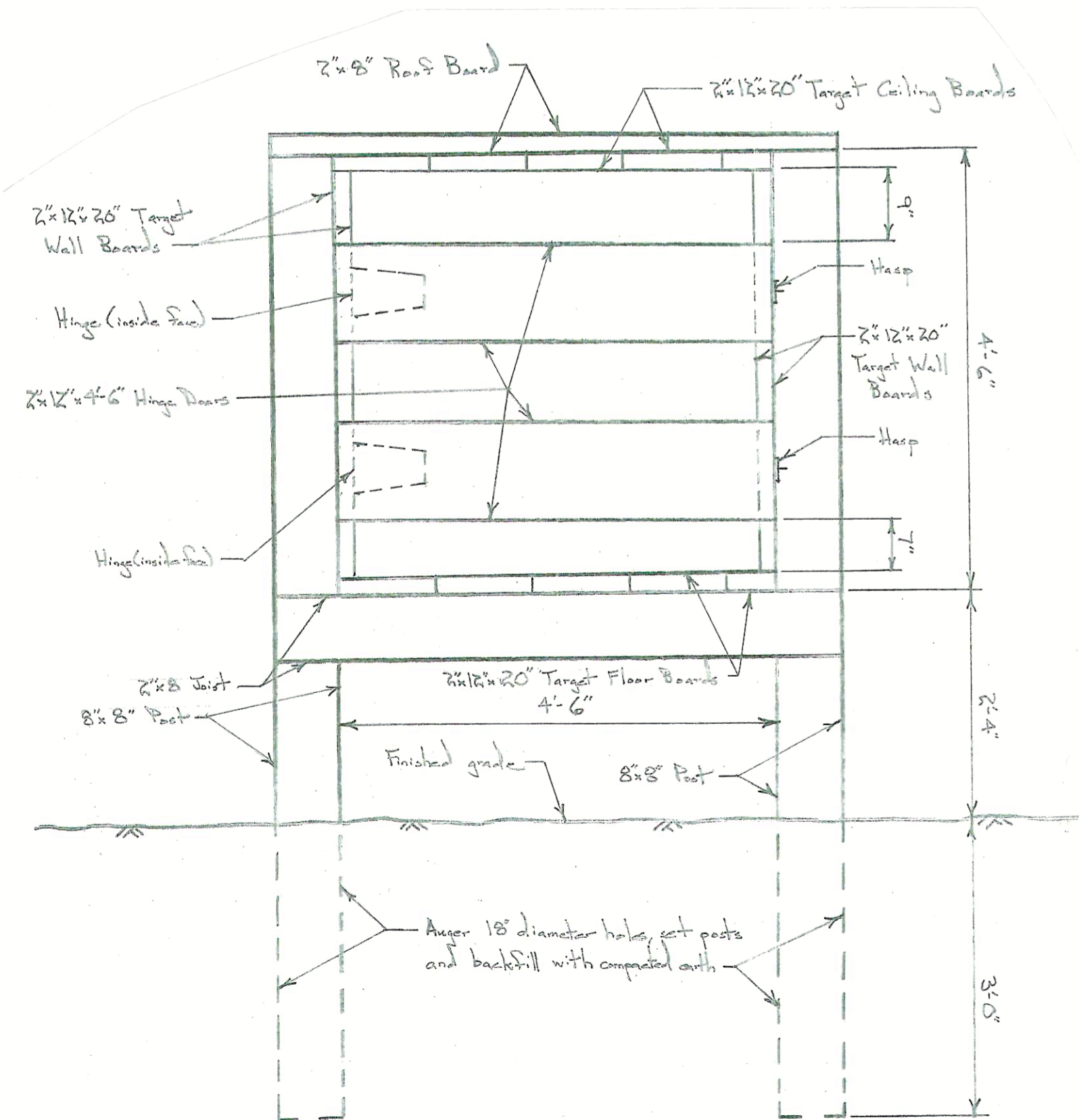
**FASTENER SCHEDULE - TARGET STATIONS**

| Connection                                 | Fasteners                               | Quantity       | Remarks                       |
|--|---|----------------|-------------------------------|
| Joists to Posts                            | 3/4" x 14" Carriage Bolt w/nut & washer | 2 (1 each end) | Through posts                 |
| Roof Board to Posts                        | #10, 3" Phillips Flat Head Deck Screw   | 8 (4 each end) | Top of posts                  |
| Target Floor Boards to Joists              | #10, 3" Phillips Flat Head Deck Screw   | 4              | 2 per each joist              |
| Target Wall Boards to Posts                | #10, 3" Phillips Flat Head Deck Screw   | 4              | 2 rows of 2                   |
| Target Ceiling Boards to Roof Board        | #10, 3" Phillips Flat Head Deck Screw   | 4              | 2 rows of 2                   |
| Front Frames to Target Boards              | #10, 3" Phillips Flat Head Deck Screw   | 5              | 1 per target board            |
| Roof Frames (Short) to Roof Boards & Posts | #10, 3" Phillips Flat Head Deck Screw   | 2              | 1 in roof board and 1 in post |
| Roof Frames (Short) to Roof Frames (Long)  | #10, 3" Phillips Flat Head Deck Screw   | 4 (2 each end) |                               |



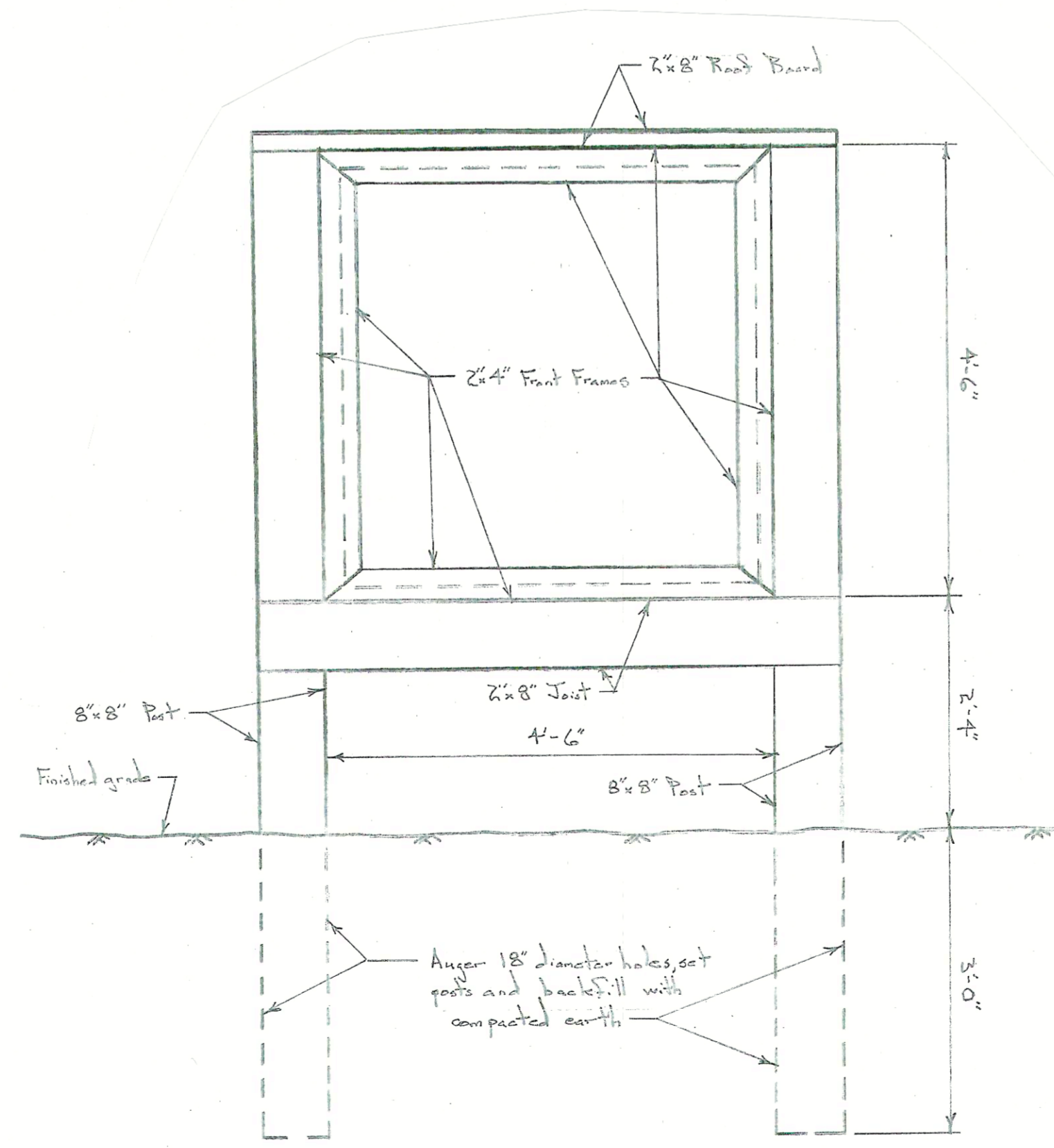
**ROOF PLAN - TARGET STATION**

Scale: 1 in. = 1 ft.



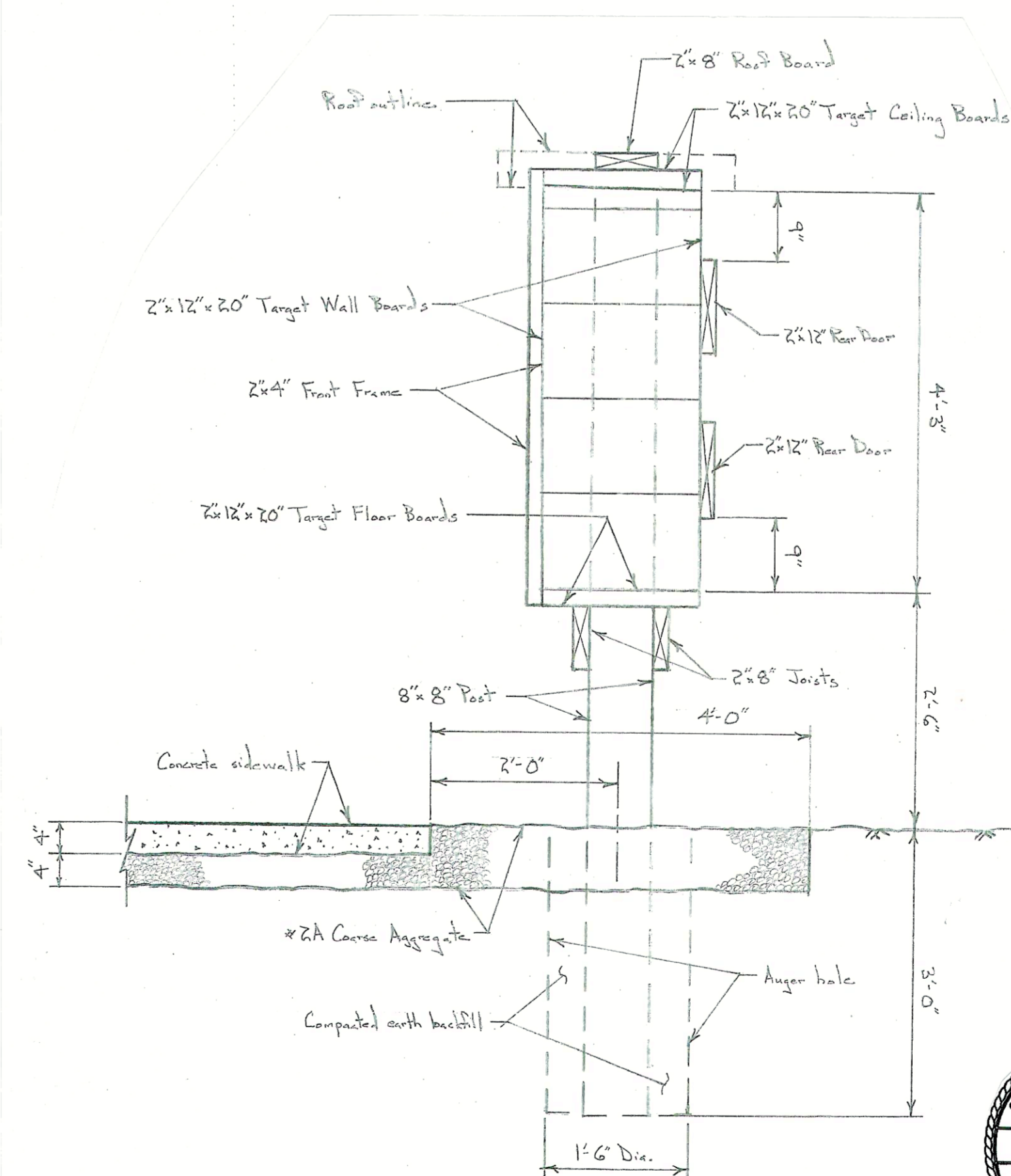
**REAR ELEVATION - TARGET STATION**

Scale: 1/4 in. = 1 ft.  
Note: Roof not shown.



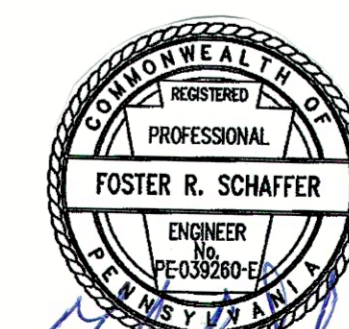
**FRONT ELEVATION - TARGET STATION**

Scale: 1/4 in. = 1 ft.  
Note: Roof not shown.



**TARGET STATION SECTION**

Scale: 3/4 in. = 1 ft.



PENNSYLVANIA GAME COMMISSION

SGL #176 HALFMOON TWSR. CENTRE CO.

SCOTIA RANGE COMPLEX RENOVATION PROJECT, PHASE 1

ARCHERY TARGET STATION DETAILS

| REVISIONS | PROJECT NO. | PGC-176-23-01 |
|-----------|-------------|---------------|
| △         | DRAWN BY:   | JS            |
| △         | DATE:       | 2/21/23       |
| △         | SHEET NO.   | 3 OF 9        |